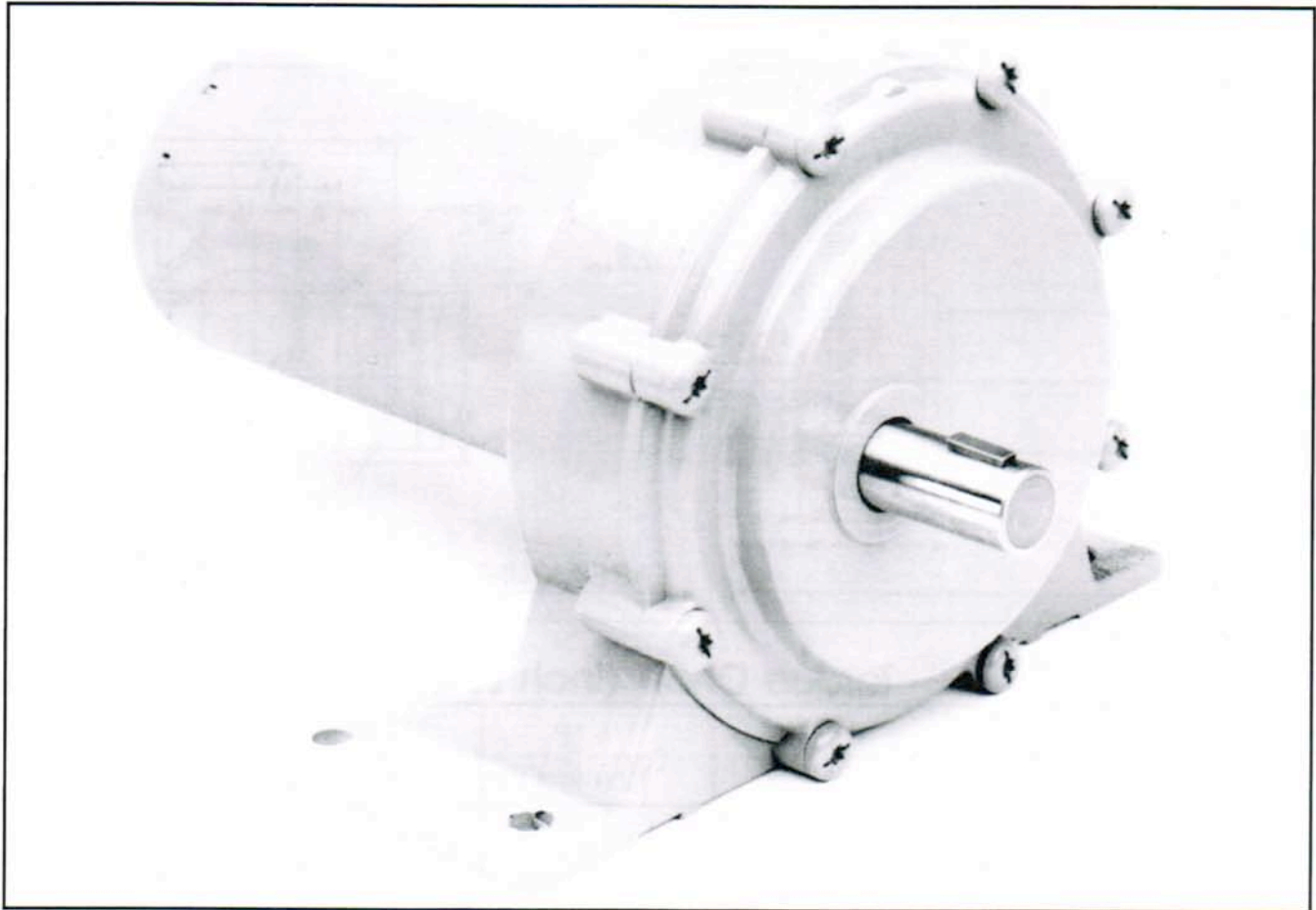




Model K100 Gearmotor 3" PMDC



Specifications:

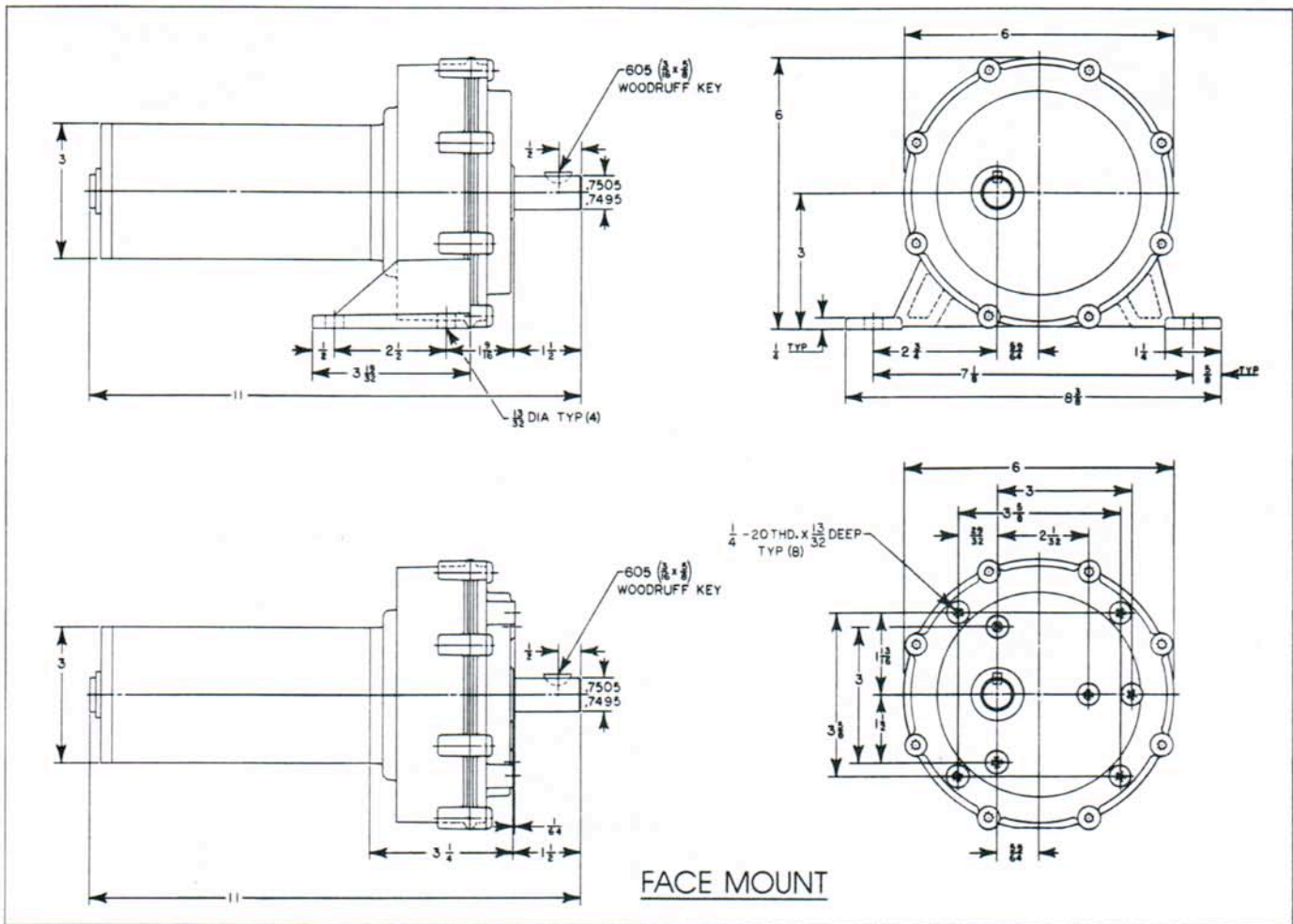
- 12 & 90 VDC
- Precision helical gears in first reduction
- Eight standard ratios: 14:1 thru 211:1
- Zinc diecast housing
- Ball bearing motor
- Oil impregnated bronze bearings on gear shafts
- O-Ring seal on output shaft
- Permanently lubricated
- All position mount

Options:

- Needle bearings
- Face mount with feet
- Face mount (no feet)
- External brush
- For other options call factory

Note: Painted finish is not standard

Model K100 3" PMDC Motor



Torque Chart (Inch Lbs)

RATIO	1/8 HP CONT. DUTY 1750 RPM		1/6 HP CONT. DUTY 3300 RPM		1/4 HP INTER. DUTY 3000 RPM	
	FULL LOAD RPM	FULL LOAD TORQUE	FULL LOAD RPM	FULL LOAD TORQUE	FULL LOAD RPM	FULL LOAD TORQUE
14:1	124	55	233	36	212	61
20:1	90	76	169	50	153	84
28:1	62	110	116	73	106	122
42:1	42	160	79	107	72	179
58:1	30	204	57	136	52	226
94:1	19	328	35	219	32	363
140:1	13	493	24	329	21	546
211:1	8	600	16	494	14	600

Overhung load capacity (1" from output boss) = $\frac{13000}{\text{RPM}}$, not to exceed 300 lbs.



KLAUBER MACHINE & GEAR CO.
 1101 GEARTECH PARKWAY
 PACIFIC, MO 63069
 (636) 257-3002 FAX: (636) 257-3005