

Model K125 Low Speed Gearmotor 3.3" PSC Motor



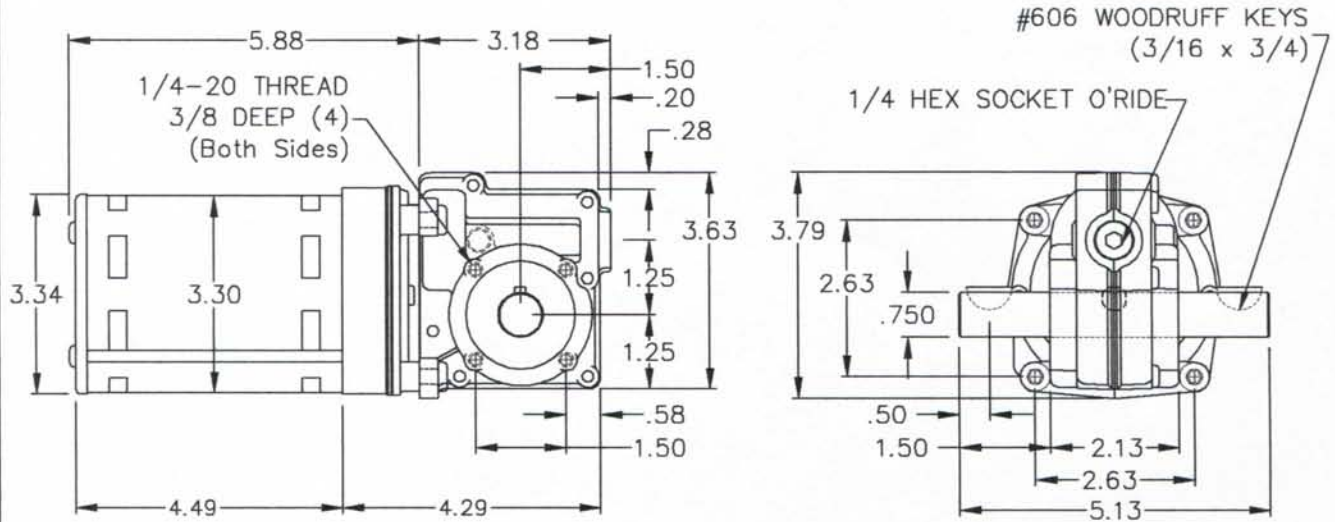
Specifications:

- 1/10 hp 3.3" Permanent Split Capacitor motor
- 115/60 VAC input
- Open motor, intermittent duty
- Auto-reset thermal protection
- Ball bearings in motor
- Reversible rotation
- Zinc die-cast housing
- Four standard gear ratios
- Steel and bronze precision gears
- Needle and sleeve bearings on gear shafts
- O-ring seal on output shaft
- Permanently lubricated
- All position face mount-both sides

Options:

- 230 VAC 50/60 Hz input
- Dual 115/230 VAC input
- Lip seal on output shaft
- Single extended output shaft
- Hollow output shaft
- Consult factory for other options

Model K125 Low Speed 3.3 PSC Motor



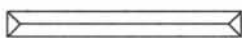
STANDARD OUTPUT SHAFT

Torque Chart (inch lbs)

1/10 HP 115 VAC /60 HZ
4-POLE PERMANENT SPLIT CAP.

RATIO	FULL LOAD RPM	FULL LOAD TORQUE
324:1	4.9	200
953:1	1.7	200
2,486:1	0.65	200
5,688:1	0.29	200

Overhung load (1" from output boss) not to exceed 200 lbs.



KLAUBER MACHINE & GEAR COMPANY

1101 GEARTECH PARKWAY

PACIFIC, MO. 63069

PH: (636) 257-3002 FAX: (636) 257-3005

www.klaubergear.com