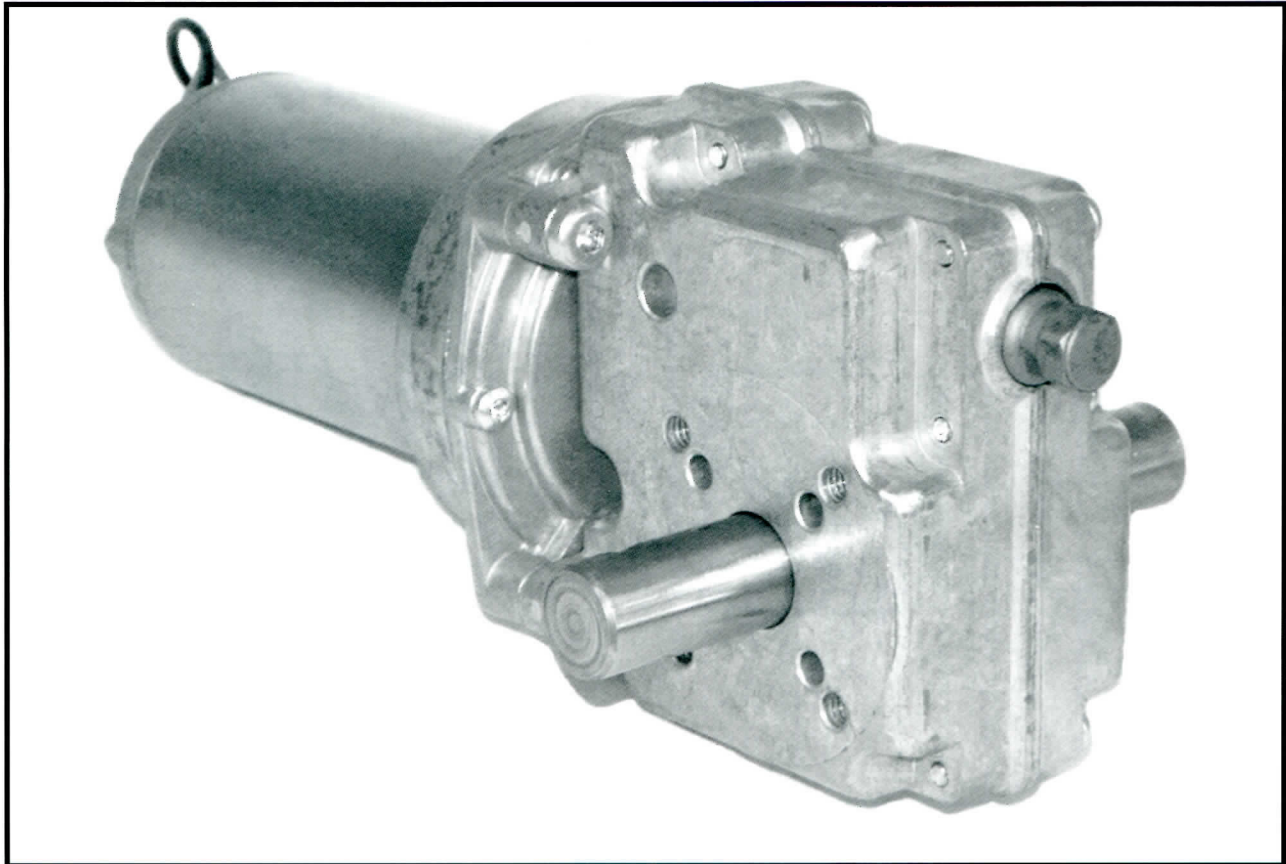


Model K150 Low Speed Gearmotor 2.5 PMDC Motor



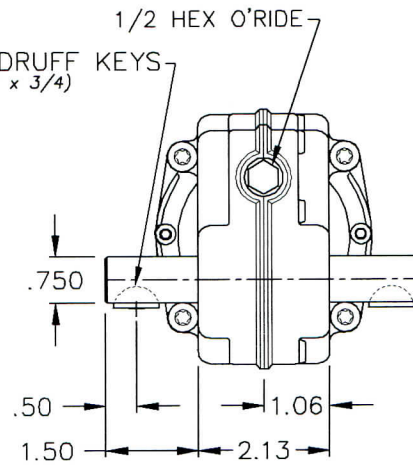
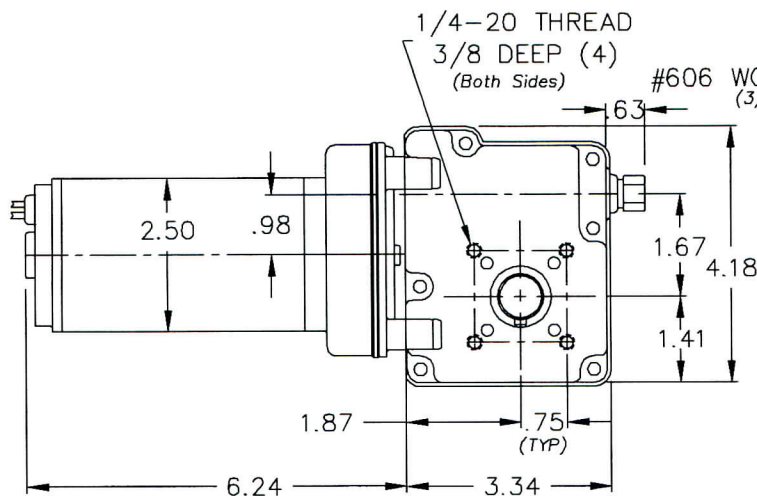
Specifications:

- 1/15-1/12 hp PMDC motor
- 12 vdc Input
- Intermittent duty
- Totally enclosed drip-proof motor
- Ball bearings in motor
- Reversible rotation
- Zinc die-cast housing
- Four standard gear ratios
- Steel and bronze precision gears
- Needle and sleeve bearings on gear shafts
- O-ring seal on output shaft
- Permanently lubricated
- All position face mount-both sides

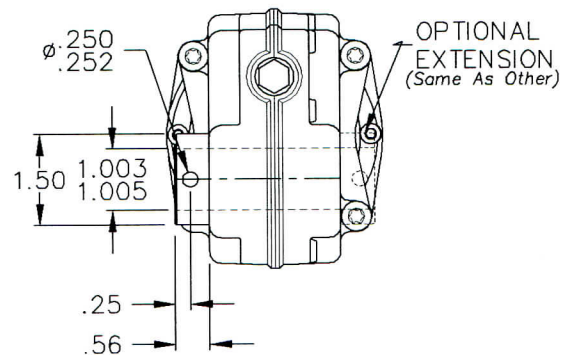
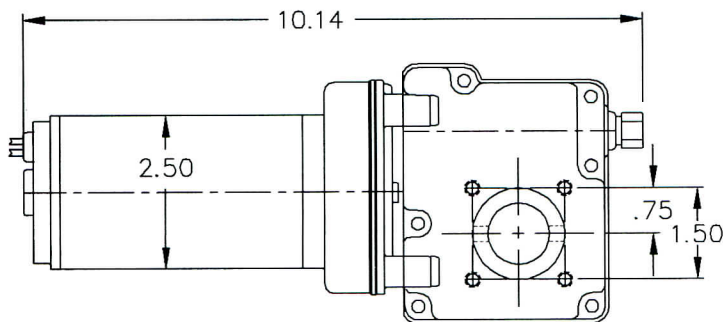
Options:

- 24 and 90 VDC Input
- Lip seal on output shaft
- Single extended output shaft
- Hollow output shaft
- Consult factory for other options

Model K150 Low Speed 2.5 PMDC Motor



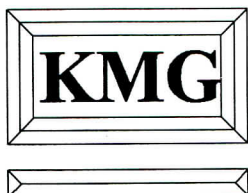
STANDARD OUTPUT SHAFT



OPTIONAL HOLLOW OUTPUT SHAFT

Torque Chart (inch lbs)				
PERMANENT MAGNET DC MOTOR				
RATIO	1/12 HP-3400 RPM		1/15 HP-2800 RPM	
	FULL LOAD		FULL LOAD	
	RPM	TORQUE	RPM	TORQUE
505:1	6.8	210	5.5	200
1,482:1	2.5	350	2	350
3,867:1	1	350	0.8	350
8,849:1	0.45	350	0.35	350

Overhung load (1" from output boss) not to exceed 200 lbs.



KLAUBER MACHINE & GEAR COMPANY
 1101 GEARTECH PARKWAY
 PACIFIC, MO. 63069
 PH: (636) 257-3002 FAX: (636) 257-3005
www.klaubergear.com