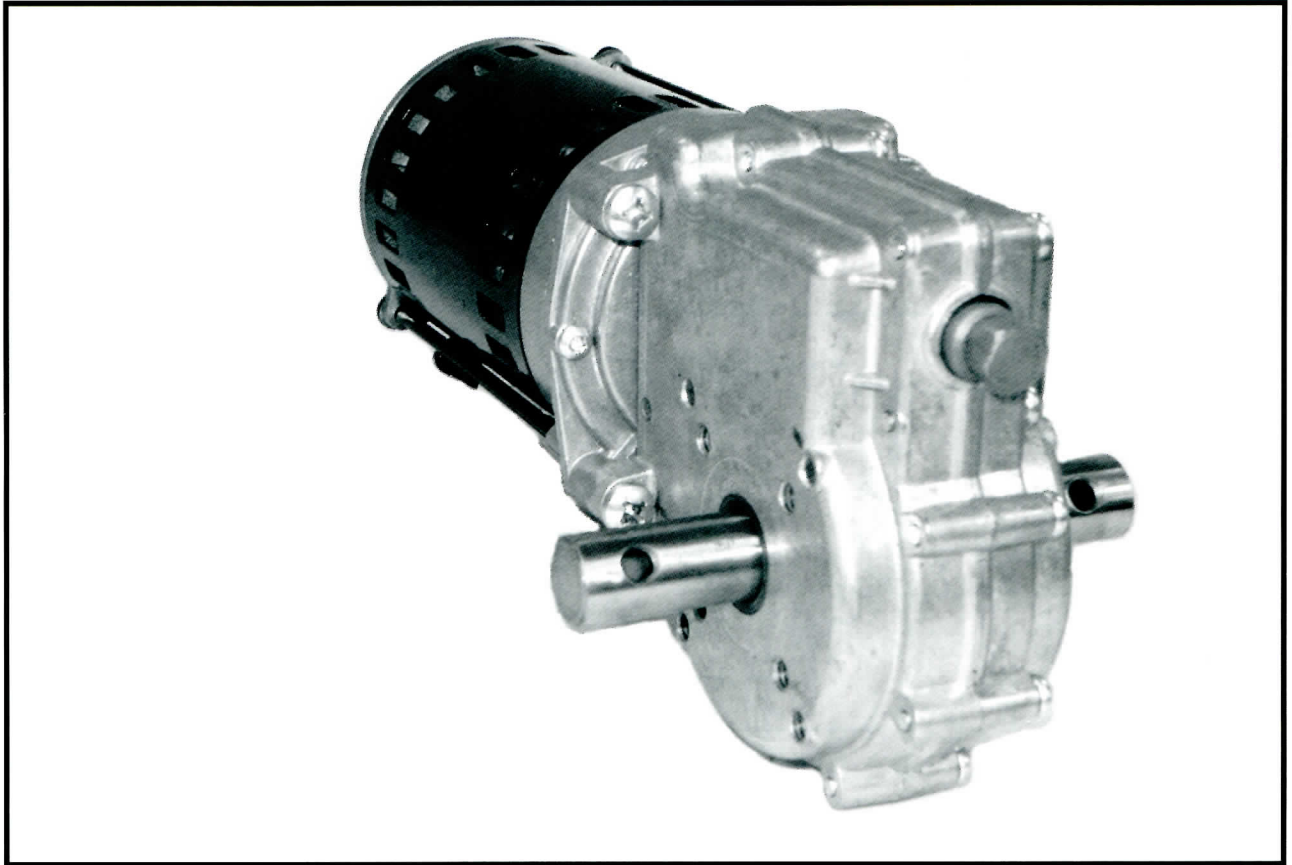


## Model K175 Low Speed Gearmotor 3.3" PSC Motor



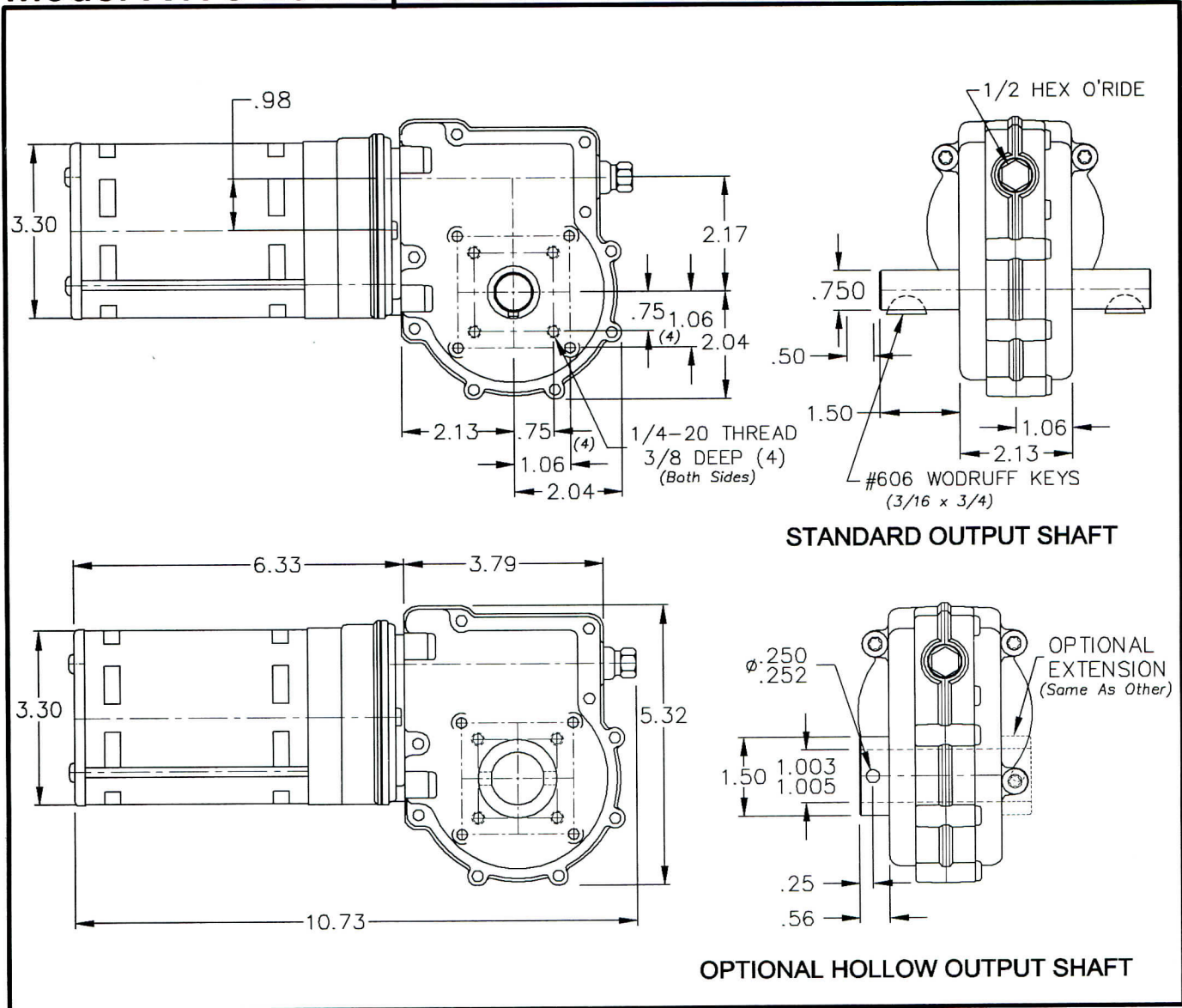
### Specifications:

- 1/10 hp 3.3" Permanent Split Capacitor motor
- 115/60 VAC input
- Open motor, intermittent duty
- Auto-reset thermal protection
- Ball bearings in motor
- Reversible rotation
- Zinc die-cast housing
- Four standard gear ratios
- Steel and bronze precision gears
- Needle and sleeve bearings on gear shafts
- O-ring seal on output shaft
- Permanently lubricated
- All position face mount-both sides

### Options:

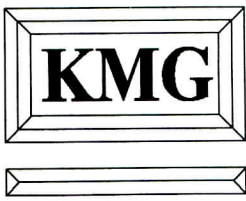
- 230 VAC 50/60 Hz input
- Dual 115/230 VAC input
- Lip seal on output shaft
- Single extended output shaft
- Hollow output shaft
- Consult factory for other options

# Model K175 Low Speed 3.3" PSC Motor



Torque Chart (inch lbs)		
K175 - 1/10 HP 115 VAC /60 HZ 4-POLE PERMANENT SPLIT CAP.		
RATIO	FULL LOAD RPM	FULL LOAD TORQUE
721:1	2	500
2,118:1	0.75	500
5,524:1	0.30	500
12,641:1	0.12	500

Overhung load (1" from output boss) not to exceed 300 lbs.



**KLAUBER MACHINE & GEAR COMPANY**  
 1101 GEARTECH PARKWAY  
 PACIFIC, MO. 63069  
 PH: (636) 257-3002 FAX: (636) 257-3005  
[www.klaubergear.com](http://www.klaubergear.com)