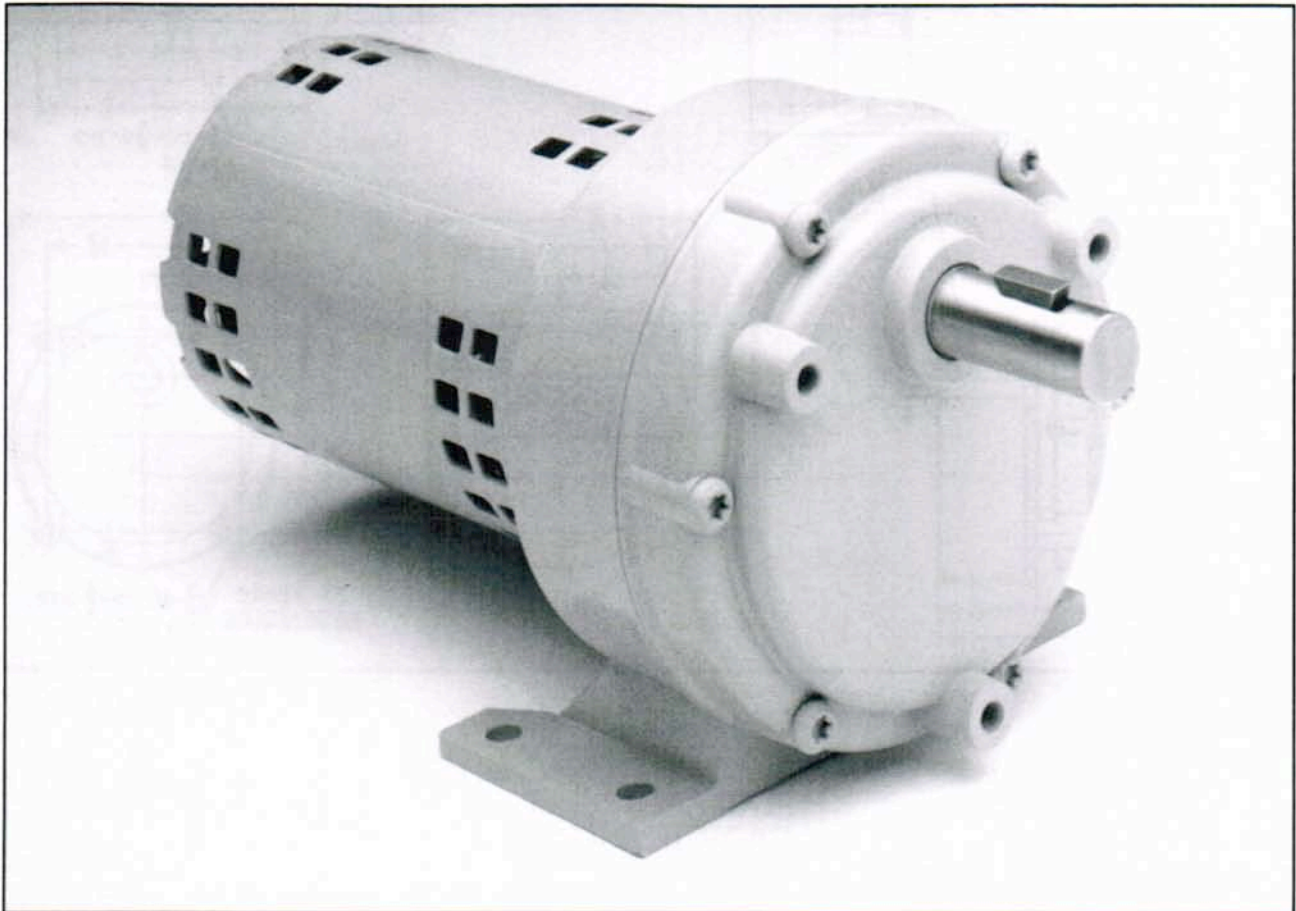




Model K400
Gearmotor
3.3" AC MOTOR



Specifications:

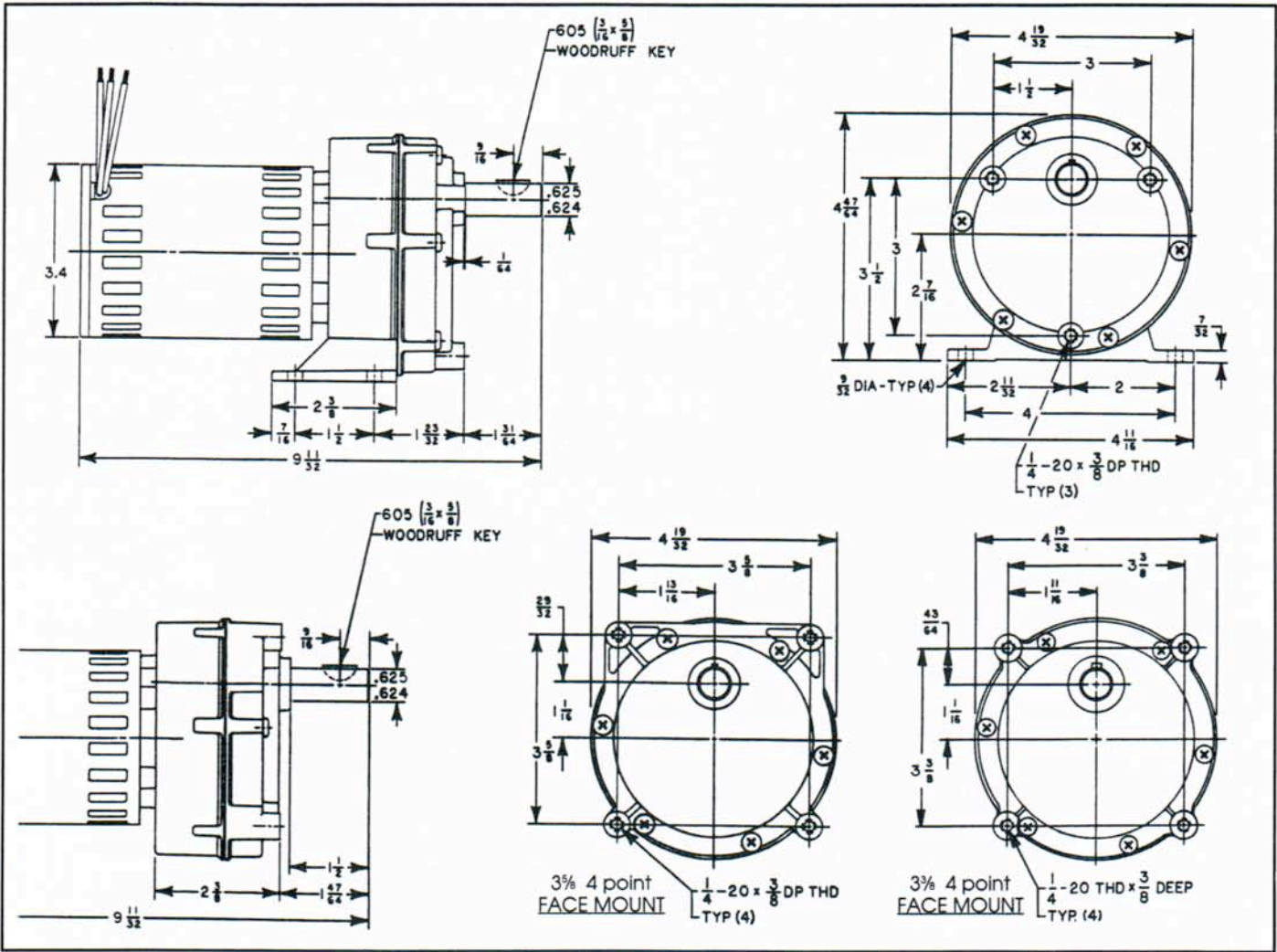
- 1/10 H.P. PSC Motor
- 115 VAC, 60 HZ, 1 phase
- Open, continuous duty motor
- Precision helical gears in first reduction
- 13 standard ratios: 6.2:1 thru 1518:1
- Zinc diecast housing
- Ball bearing motor
- Oil impregnated bronze bearings on gear shafts
- O-Ring seal on output shaft
- Permanently lubricated
- All position mount

Options:

- Needle bearings
- Face mount (no feet)
- For other options call factory

Note: Painted finish is not standard

Model K400 3.3" DIA AC Motor



Torque Chart (Inch Lbs)

1 / 10 HP 115 VAC 60 HZ PERMANENT SPLIT CAPACITOR 4 POLE		
RATIO	FULL LOAD RPM	FULL LOAD TORQUE
6.2:1	242	24
14:1	106	50
27:1	57	94
53:1	28	170
81:1	18	259
132:1	11	350
200:1	7.5	350
257:1	5.8	350
392:1	3.8	350
509:1	2.9	350
777:1	1.9	350
996:1	1.5	350
1518:1	1.0	350

Overhung load capacity (1" from output boss) = $\frac{6500}{\text{RPM}}$, not to exceed 150 lbs.



KLAUBER MACHINE & GEAR CO.
 1101 GEARTECH PARKWAY
 PACIFIC, MO 63069
 (636) 257-3002 FAX: (636) 257-3005