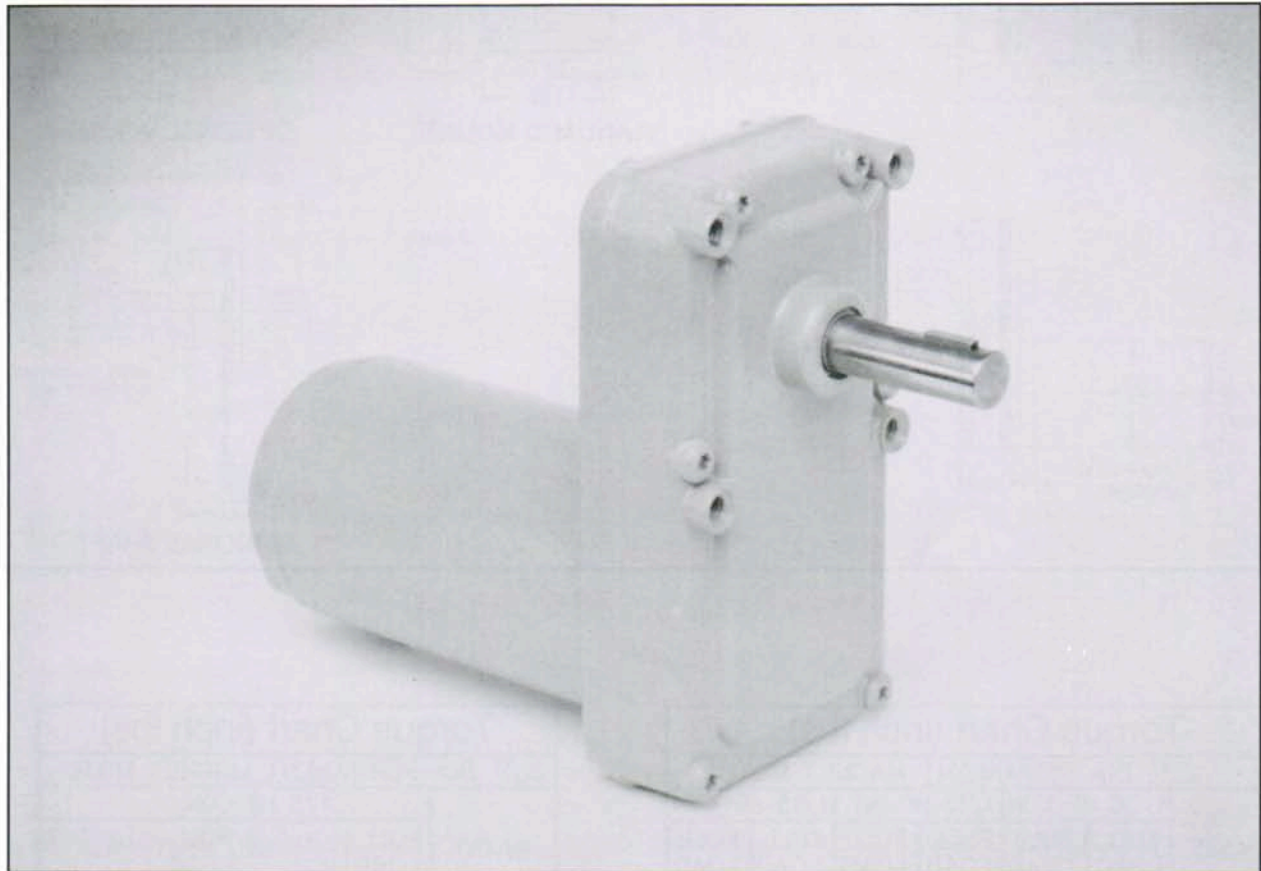




## Model K500 Gearmotor 2.5 & 3.3 PMDC MOTORS



### Specifications:

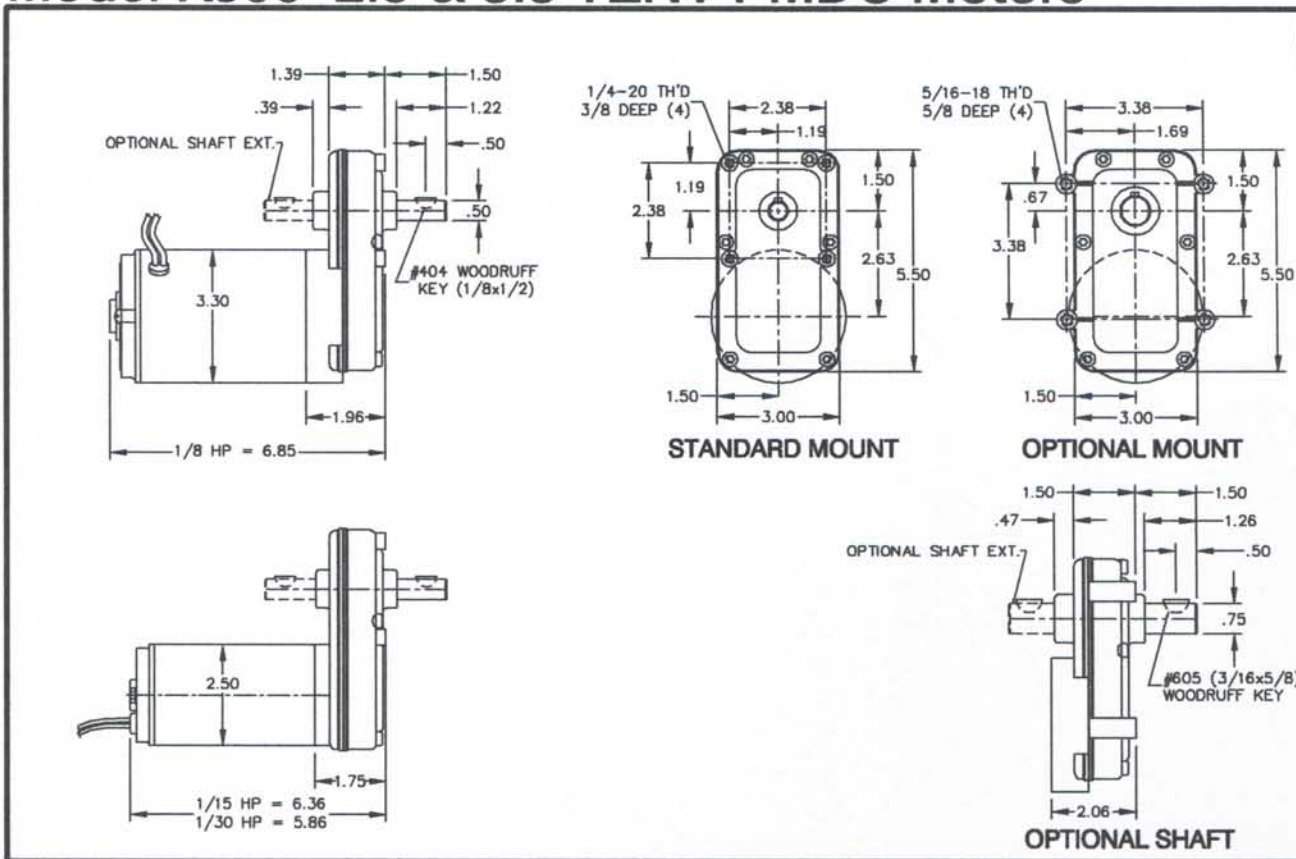
- Permanent magnet motor
- 12 VDC and 90 VDC
- Continuous & intermittent duty
- Reversible
- Zinc diecast housings
- Eight standard ratios
- Acetyl and steel precision gears
- Oil impregnated bronze bearings on gear shafts
- O-Ring seal on output shaft
- Permanently lubricated
- All position mount

### Options:

- Needle bearings
- Brake mounted on motor
- Double extended output shafts
- For other options call factory

Note: Painted finish is not standard

# Model K500 2.5 & 3.3 TENV PMDC Motors



Torque Chart (inch lbs)						
2.5" DIA PERMANENT MAGNET MOTOR						
RATIO	1/30 HP CON		1/15 HP INT		1/15 HP CON	
	FULL LOAD RPM	FULL LOAD TORQUE	FULL LOAD RPM	FULL LOAD TORQUE	FULL LOAD RPM	FULL LOAD TORQUE
27:1	124	14	109	28	124	28
47:1	70	29	62	58	70	58
68:1	48	34	43	67	48	67
95:1	35	47	31	94	35	94
175:1	19	80	17	160	19	160
248:1	13	113	12	175	13	175
395:1	8	165	7	175	8	175
567:1	6	175	5	175	6	175

(Output Torque is Theoretically Calculated and Gear Limited)

Torque Chart (inch lbs)		
3.3" DIA PERMANENT MAGNET MOTOR		
RATIO	1/8 HP CON	
	FULL LOAD RPM	FULL LOAD TORQUE
23:1	67	63
41:1	38	101
57:1	27	140
80:1	19	198
146:1	10	325
206:1	7	350
326:1	5	350
468:1	3	350

(Output Torque is Theoretically Calculated and Gear Limited)

Overhung load capacity (.75" from output boss) not to exceed 100 lbs.



**KLAUBER MACHINE & GEAR COMPANY**

1101 GEARTECH PARKWAY

PACIFIC, MO. 63069

PH: (636) 257-3002 FAX: (636) 257-3005