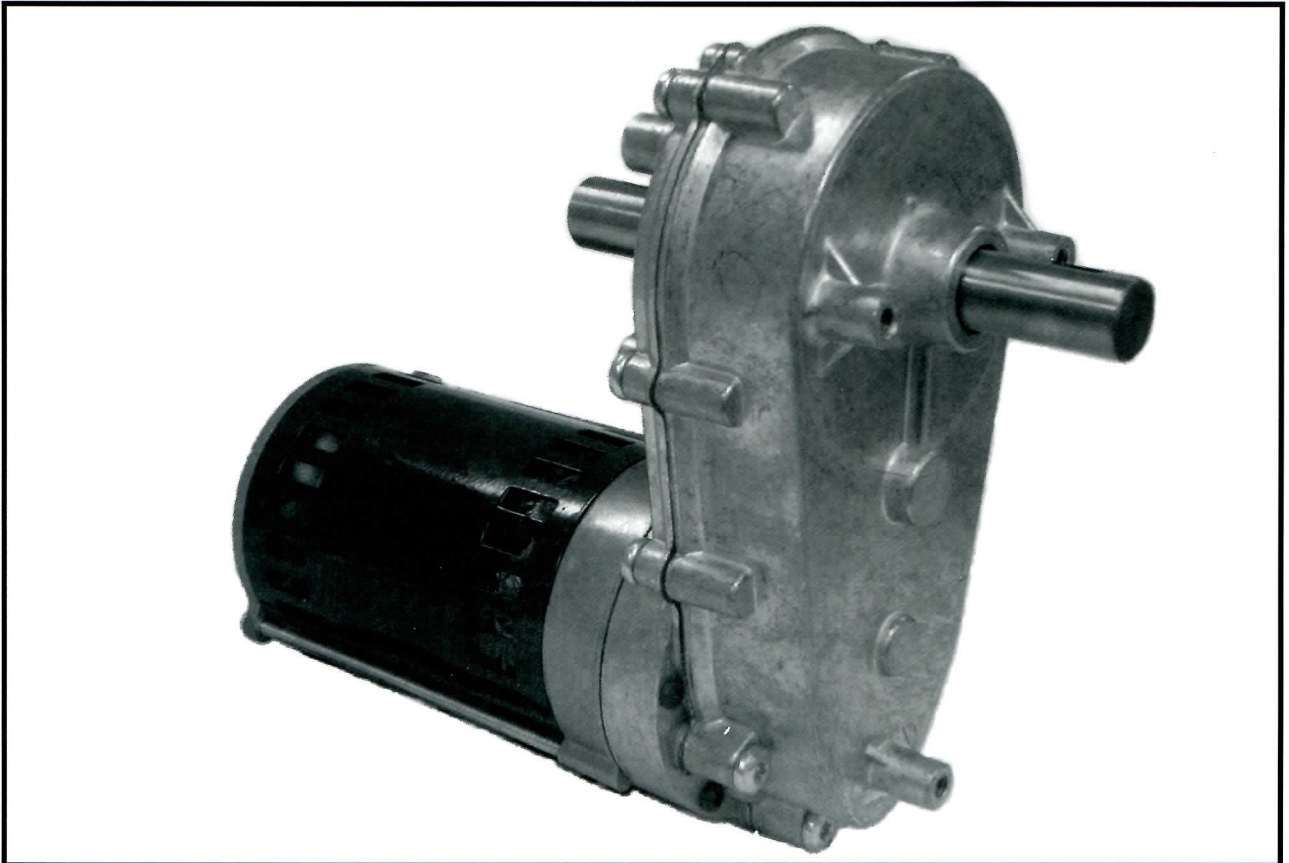


## Model K600 Low Speed Gearmotor 3.3 PSC MOTOR



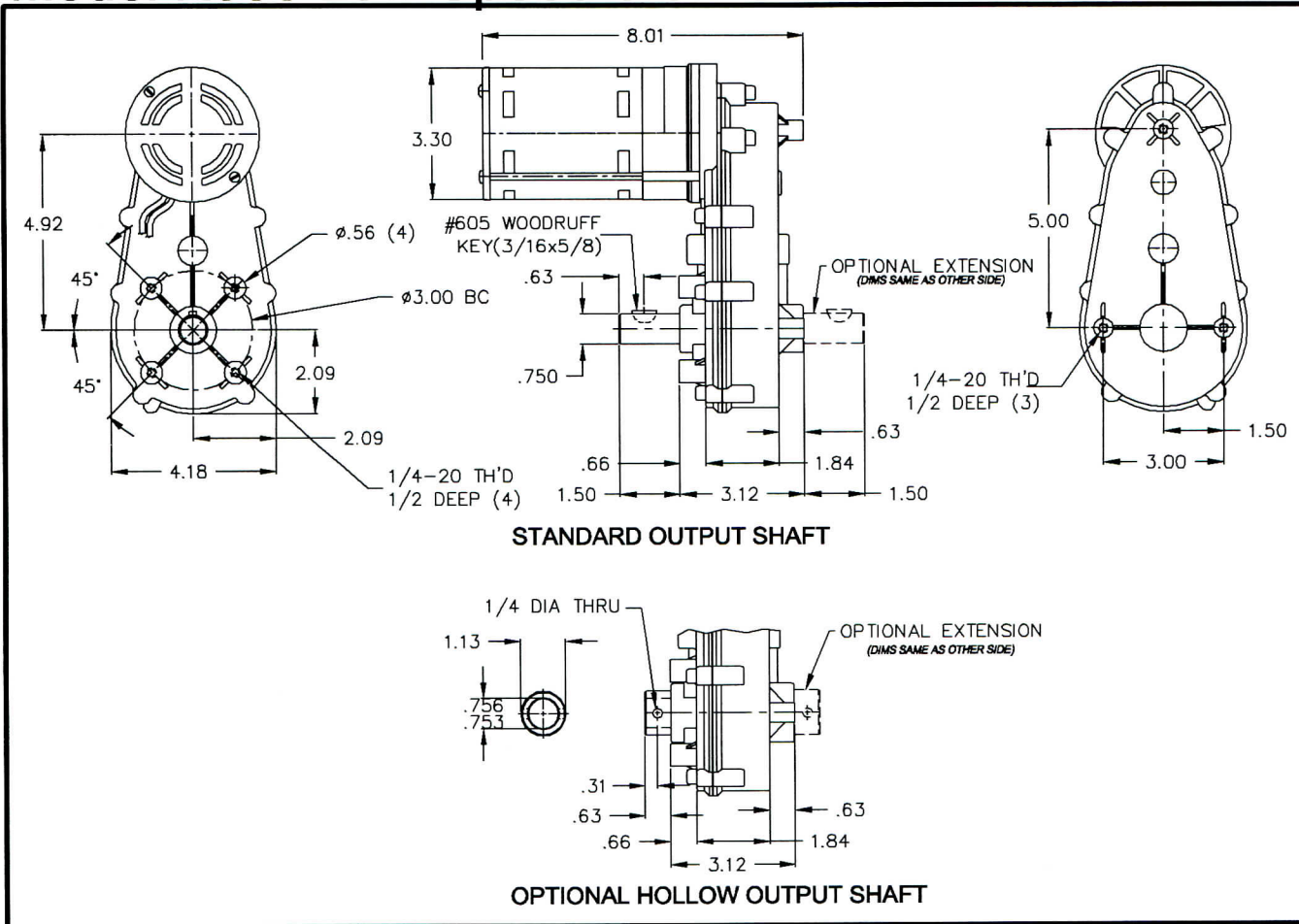
### Specifications:

- 1/10 hp 3.3" Permanent Split Capacitor motor
- 115/60 VAC input
- Open, continuous duty motor
- Auto-reset thermal protection
- Ball bearings in motor
- Reversible rotation
- Zinc die-cast housing
- Seven standard gear ratios
- Precision helical gears in first reduction
- Oil impregnated bronze bearings on gear shafts
- O-ring seal on output shaft
- Permanently lubricated
- All position mount

### Options:

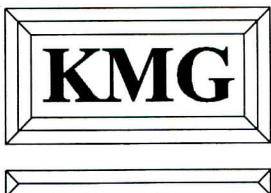
- 230 VAC 50/60 Hz input
- Dual 115/230 VAC input
- Needle bearings on gear shafts
- Brake mounted on motor
- Consult factory for other options

# Model K600 Low Speed 3.3 PSC Motor



Torque Chart (inch lbs)		
1/10 HP 115 VAC /60 HZ 4-POLE PERMANENT SPLIT CAP.		
K600 RATIO	FULL LOAD RPM	FULL LOAD TORQUE
727:1	2.2	900
1,123:1	1.4	900
1,687:1	0.95	900
2,136:1	0.75	900
3,300:1	0.5	900
4,956:1	0.3	900
7,450:1	0.2	900

Overhung load capacity (1" from output boss) not to exceed 300 lbs.



**KLAUBER MACHINE & GEAR COMPANY**  
 1101 GEARTECH PARKWAY  
 PACIFIC, MO. 63069  
 PHONE (636) 257-3002 FAX (636) 257-3005  
 www.klaubergear.com