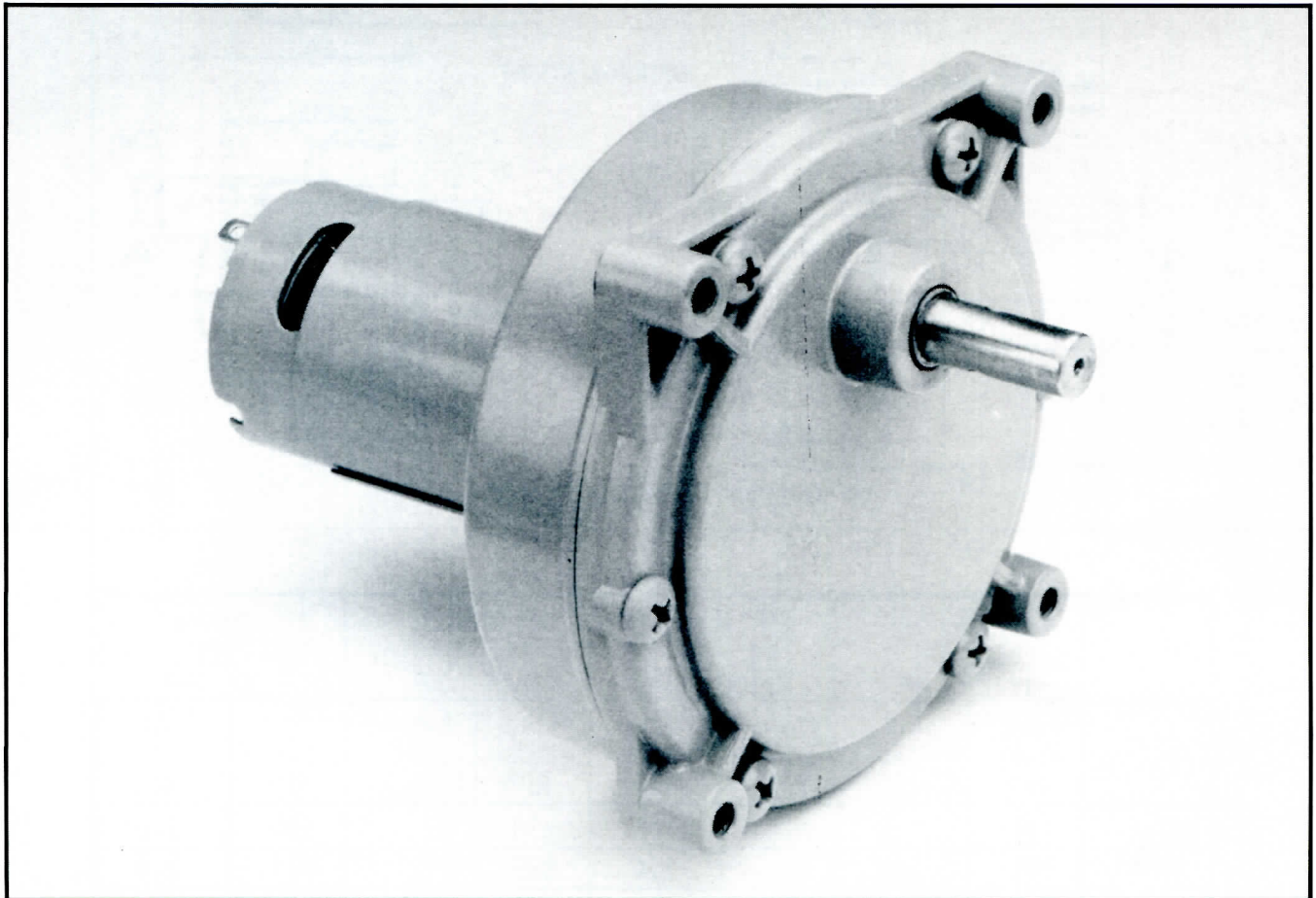


Model K800 Gearmotor: PMDC Small Motors



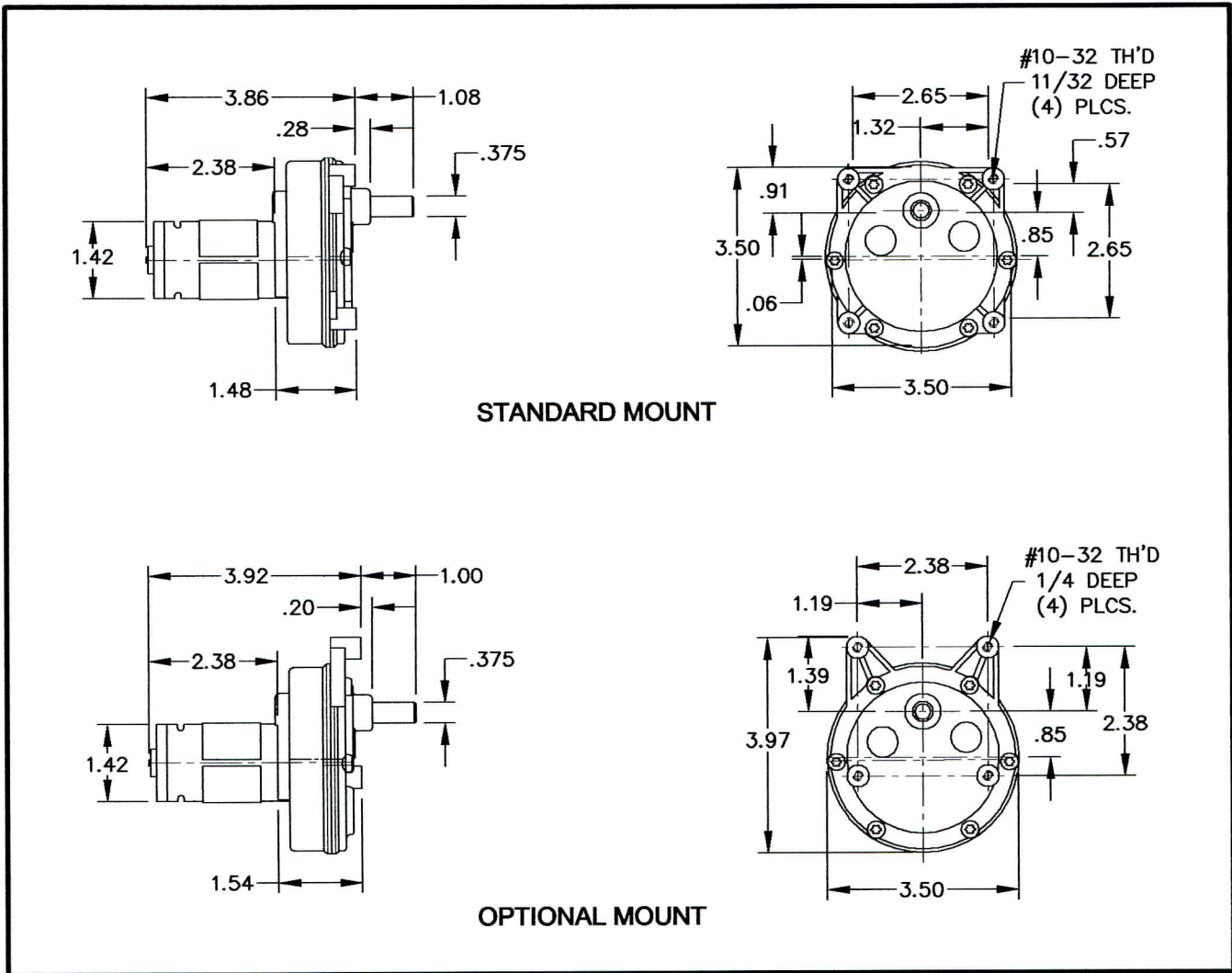
Specifications:

1/150 to 1/50 HP Permanent Magnet DC motor
12 VDC
Continuous duty
Reversible rotation
Zinc die-cast gearbox
8 standard gear ratios
Plastic and steel gears
Sleeve bearings, motor and output shaft
O-ring seal on output shaft
Permanently lubricated
All position mount

Options:

24 VDC
Keyway on output shaft
Flat on output shaft
Needle bearings on output shaft
Consult factory for other options

Model K800 Small PM Motor



Torque Chart (inch lbs)				
RATIO	12 vdc 4200 rpm motor		12 vdc 2200 rpm motor	
	FULL LOAD RPM	FULL LOAD TORQUE	FULL LOAD RPM	FULL LOAD TORQUE
15:1	275	1.5	145	2
21:1	200	2	105	3
44:1	95	4	50	5
61:1	65	5	35	8
114:1	35	9	18	14
161:1	25	13	13	19
252:1	17	18	9	27
361:1	12	26	6	40

Overhung load capacity (.44" from output boss) not to exceed 75 lbs.



KLAUBER MACHINE & GEAR COMPANY
 1101 GEARTECH PARKWAY
 PACIFIC, MO. 63069
 PH: (636) 257-3002 FAX: (636) 257-3005
www.klaubergear.com