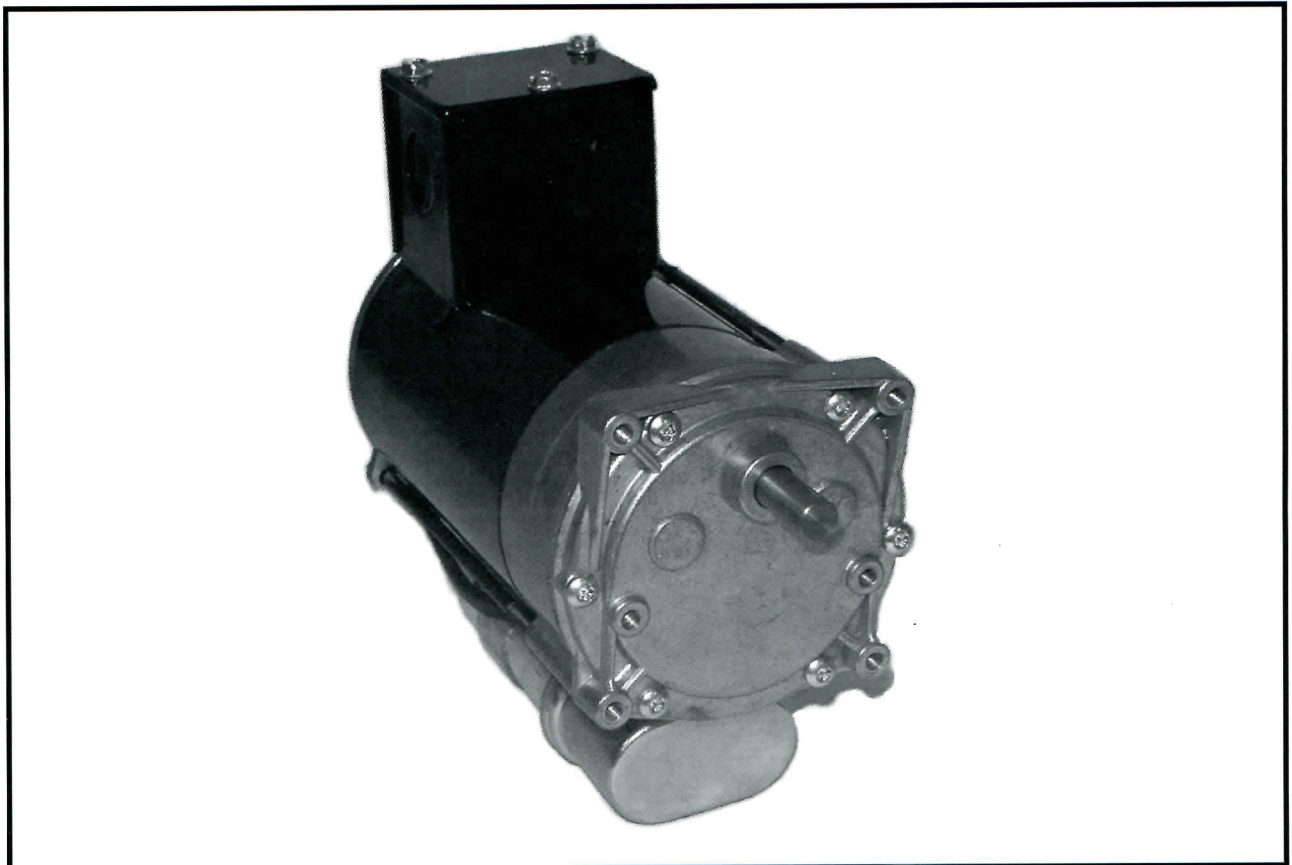


Model K800 Gearmotor 3.3 PSC Motor



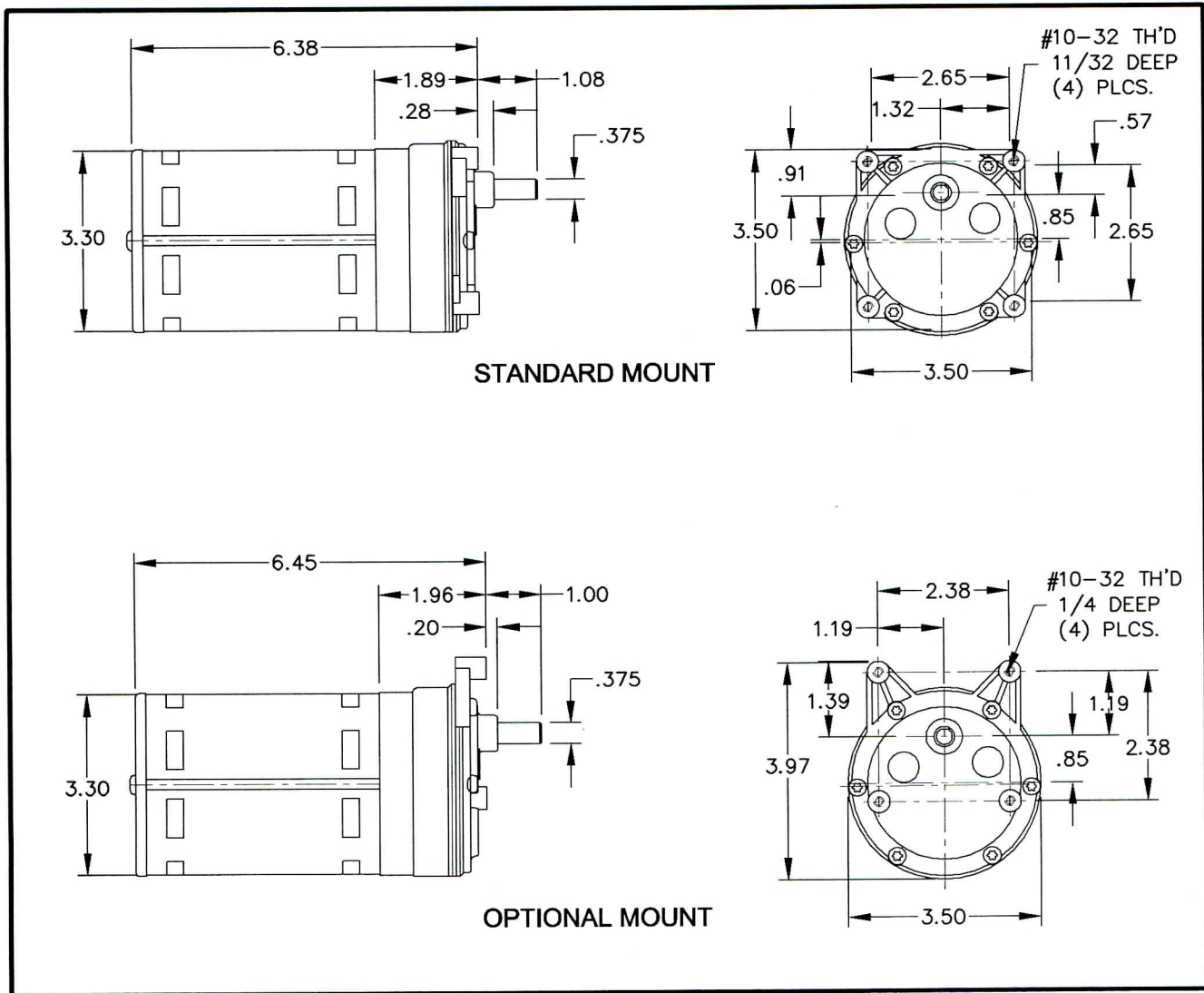
Specifications:

- 1/10 hp 3.3" Permanent Split Capacitor motor
- 115/60 VAC input
- Open, continuous duty motor
- Auto-reset thermal protection
- Ball bearings in motor
- Reversible rotation
- Zinc die-cast housing
- Nine standard gear ratios
- Precision helical gears in first reduction
- Oil impregnated bronze bearings on output shaft
- O-ring seal on output shaft
- Permanently lubricated
- All position mount

Options:

- 230 VAC 50/60 Hz input
- Dual 115/230 VAC input
- Needle bearings on output shaft
- Brake mounted on motor
- Consult factory for other options

Model K800 3.3" VENTED PSC Motor



Torque Chart (inch lbs)		
1/10 HP 115 VAC /60 HZ 4-POLE PERMANENT SPLIT CAP.		
RATIO	FULL LOAD RPM	FULL LOAD TORQUE
13:1	118	40
18:1	86	55
29:1	53	75
38:1	41	75
53:1	29	75
98:1	16	75
138:1	11	75
224:1	7	75
316:1	5	75

Overhung load capacity (.44" from output boss) not to exceed 75 lbs.



KLAUBER MACHINE & GEAR COMPANY
 1101 GEARTECH PARKWAY
 PACIFIC, MO. 63069
 PH: (636) 257-3002 FAX: (636) 257-3005
www.klaubergear.com