



Model K825 Gearmotor 3.3 PSC Motor



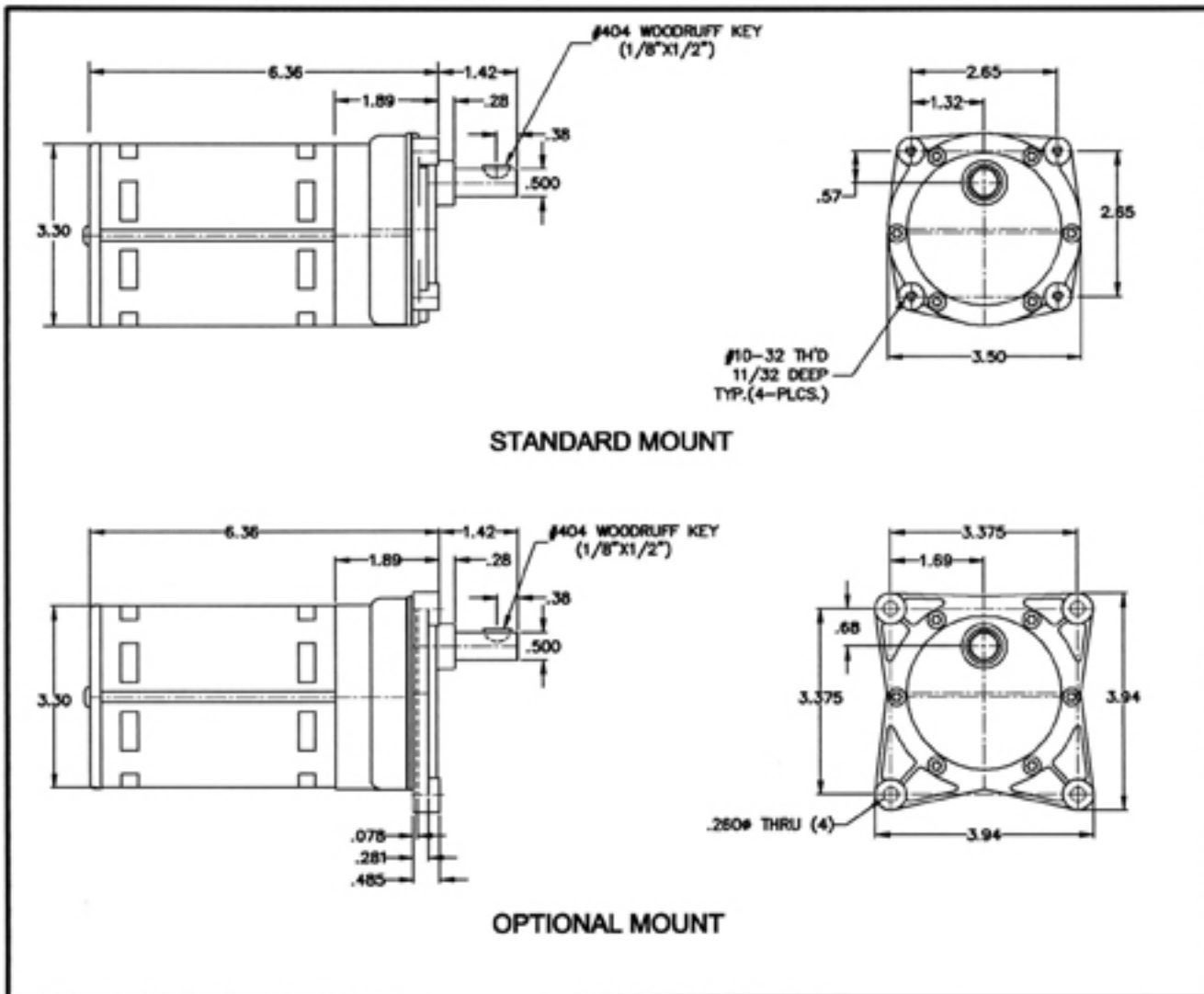
Specifications:

- 1/10 hp 3.3" Permanent Split Capacitor motor
- 115/60 VAC input
- Open, continuous duty motor
- Auto-reset thermal protection
- Ball bearings in motor
- Reversible rotation
- Zinc die-cast housing
- Nine standard gear ratios
- Precision helical gears in first reduction
- Oil impregnated bronze bearings on output shaft
- O-ring seal on output shaft
- Permanently lubricated
- All position mount

Options:

- 230 VAC 50/60 Hz input
- Dual 115/230 VAC input
- TENV or TEFC motor
- Needle bearings on output shaft
- Brake mounted on motor
- Consult factory for other options

Model K825 3.3" VENTED PSC Motor



| Torque Chart (inch lbs) | | |
|---|---------------|------------------|
| 1/10 HP 115 VAC /60 HZ 4-POLE PERMANENT SPLIT CAP. | | |
| RATIO | FULL LOAD RPM | FULL LOAD TORQUE |
| 13:1 | 118 | 40 |
| 18:1 | 86 | 55 |
| 29:1 | 53 | 75 |
| 38:1 | 41 | 95 |
| 53:1 | 29 | 100 |
| 96:1 | 16 | 100 |
| 138:1 | 11 | 100 |
| 224:1 | 7 | 100 |
| 316:1 | 5 | 100 |

Overhung load capacity (.44" from output boss) not to exceed 100 lbs.



KLAUBER MACHINE & GEAR COMPANY
 1101 GEARTECH PARKWAY
 PACIFIC, MO. 63069
 PH: (636) 257-3002 FAX: (636) 257-3005
www.klaubergear.com