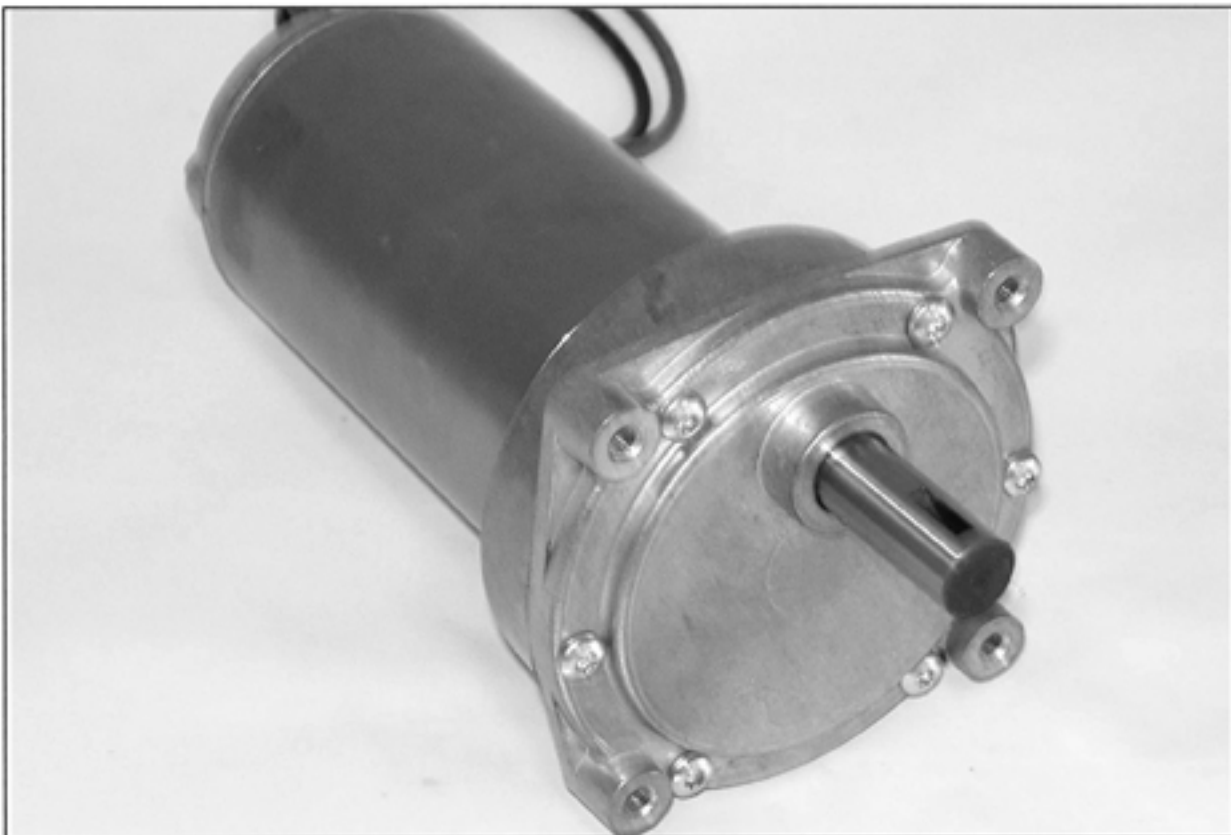




**Model K825
Gearmotor
2.5 & 3.3
PMDC Motor**



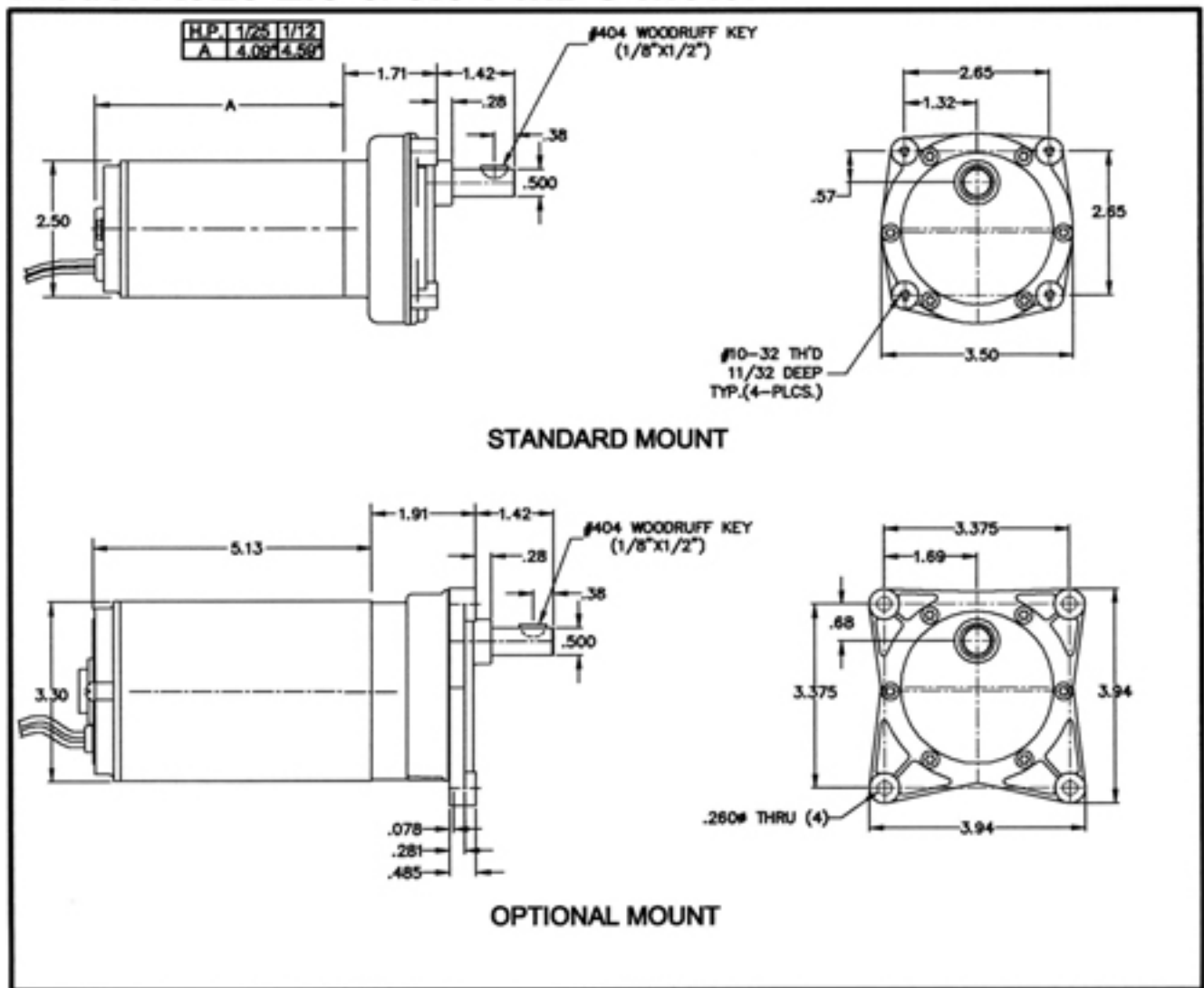
Specifications:

- 1/25 to 1/8 HP Permanent Magnet DC motor
- 12 VDC
- Continuous duty
- Reversible rotation
- Zinc die-cast gearbox
- Nine standard gear ratios
- Precision helical gears in first reduction
- Oil impregnated bronze bearings on output shaft
- O-ring seal on output shaft
- Permanently lubricated
- All position mount

Options:

- 24 or 90 VDC
- Needle bearings on output shaft
- Brake mounted on motor
- Consult factory for other options

Model K825 2.5 & 3.3 PMDC Motor



Torque Chart (inch lbs)

Ratio	2.5" Motor 12 vdc-1/25 hp 3100 rpm nom.		2.5" Motor 12 vdc-1/12 hp 3400 rpm nom.		3.3" Motor 12 vdc-1/8 hp 2000 rpm nom.	
	Rated RPM	Rated TORQUE (in.lb.)	Rated RPM	Rated TORQUE (in.lb.)	Rated RPM	Rated TORQUE (in.lb.)
13:1	239	8	260	16	154	41
18:1	173	11	189	22	111	57
29:1	107	17	117	33	69	82
38:1	82	22	89	43	53	100
53:1	59	31	64	60	40	100
98:1	32	52	35	100	22	100
138:1	23	73	25	100	16	100
224:1	14	100	16	100	10	100
316:1	10	100	11	100	7	100

Overhung load capacity (.44" from output boss) not to exceed 100 lbs.



KLAUBER MACHINE & GEAR COMPANY
 1101 GEARTECH PARKWAY
 PACIFIC, MO. 63069
 PH: (636) 257-3002 FAX: (636) 257-3005
www.klaubergear.com