

Model K900HD Gearmotor 3.3 PMDC Motor



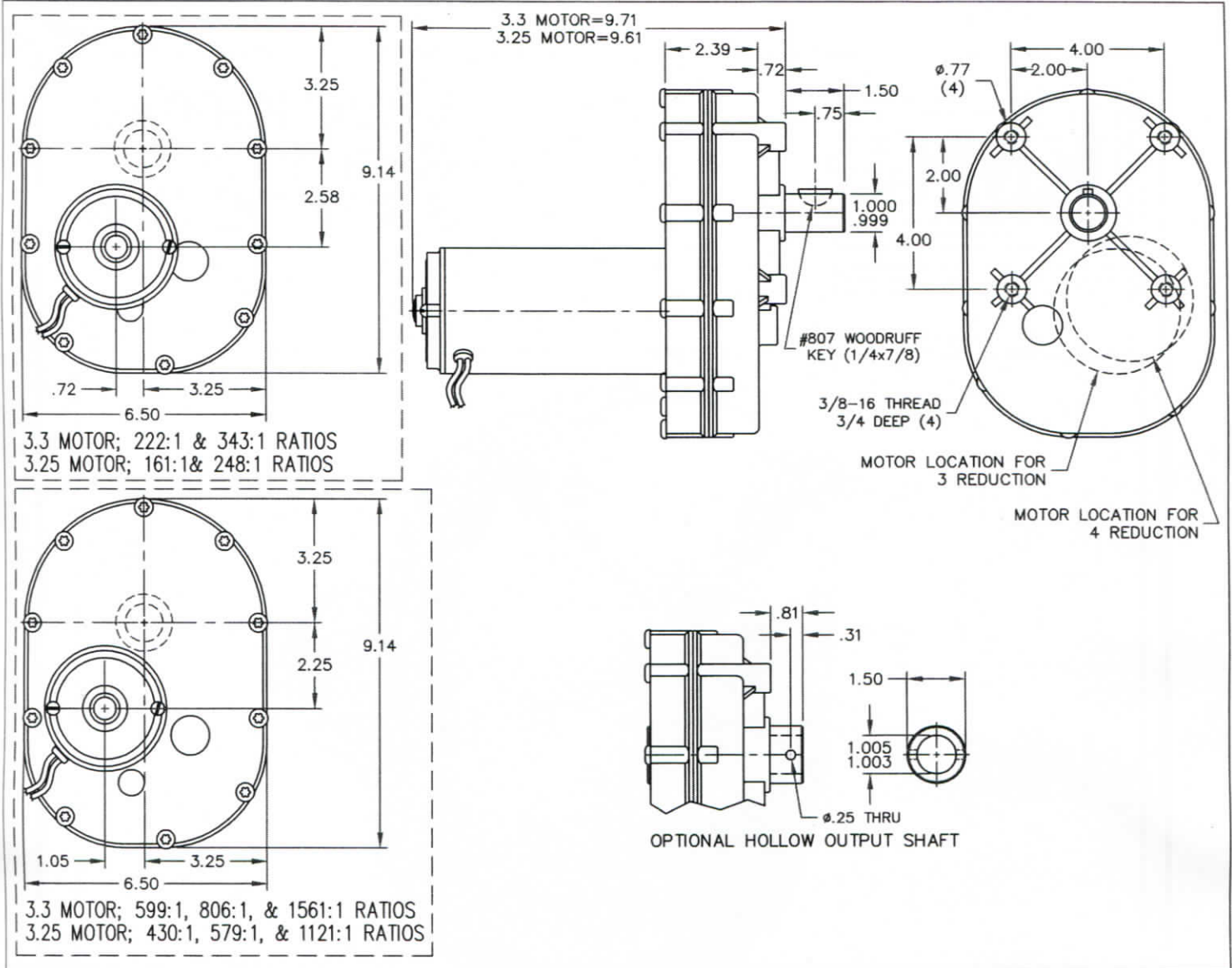
Specifications:

- .3 & .4 H.P. permanent magnet motor
- 12 & 90 VDC
- External brushes on the 3.25 motor
- Precision helical gears in first reduction
- Ten standard ratios 161:1 thru 1561:1
- Zinc diecast housing
- Oil impregnated bronze bearings on gear shafts
- O-Ring seal on output shaft
- Permanently lubricated
- All position mount

Options:

- Needle bearings
- Double extended output shaft
- 1" ID Hollow output shaft
- For other options call factory

Model K900HD TENV DC Motor



Torque Chart (inch lbs)

3.3" DIA PERMANENT MAGNET MOTOR .3 HP

RATIO	FULL LOAD RPM	FULL LOAD TORQUE
222:1	12	1100
343:1	8	1700
599:1	4.5	2700
806:1	3	3600
1561:1	1.5	5000

Torque Chart (inch lbs)

3.25" DIA PERMANENT MAGNET MOTOR .4 HP

RATIO	FULL LOAD RPM	FULL LOAD TORQUE
161:1	19	960
248:1	12	1480
430:1	7	2340
579:1	5	3140
1121:1	2.5	5000

Overhung load capacity at .75 from output boss not to exceed 550 lbs.



KLAUBER MACHINE & GEAR CO.

1101 GEARTECH PARKWAY
PACIFIC, MO 63069

PH (636) 257-3002 - FAX (636) 257-3005