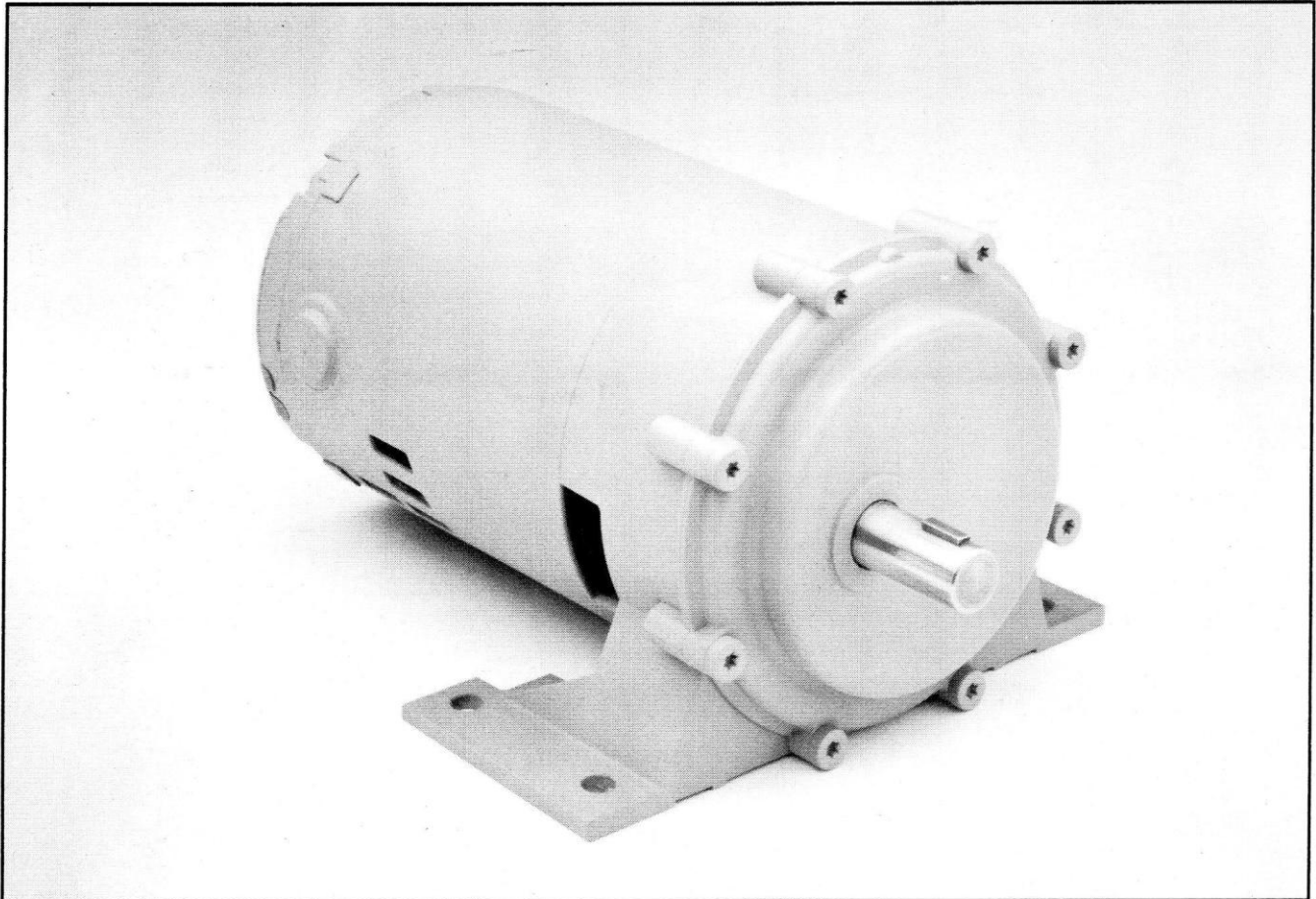


Model K100
Gearmotor
48F AC MOTOR



Specifications

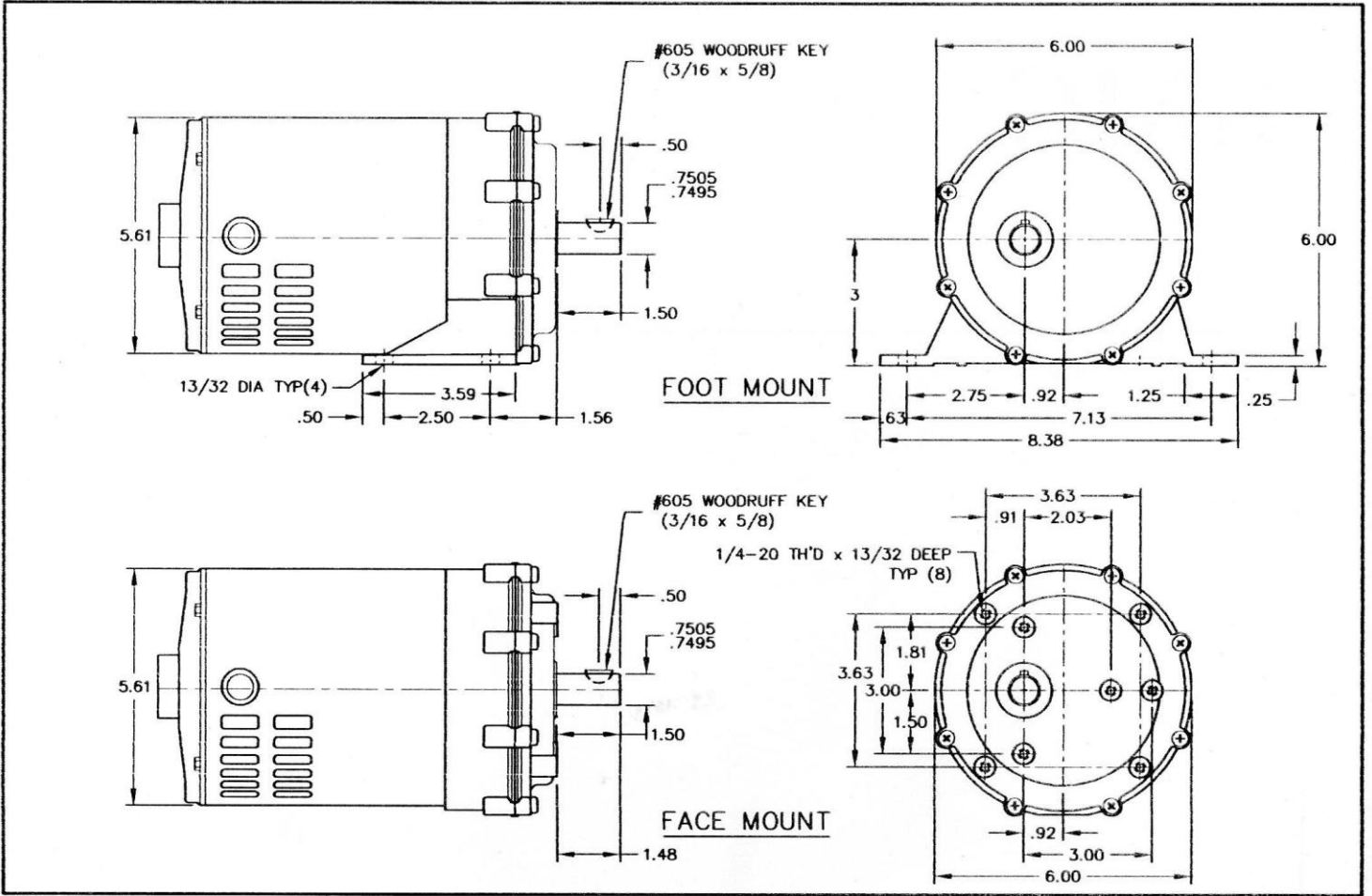
1/4 HP or 1/2 HP split phase motor
115 VAC, 60 Hz, 1 phase
Open, continuous duty motor
Precision helical gears in first reduction
Seven standard ratios
Zinc die-cast housing
Ball bearing motor
Oil impregnated bronze bearings on gear shafts
O-ring seal on output shaft
Permanently lubricated
All position mount

Options

230 VAC, 50/60 Hz split phase in 48 frame (5.6")
208-230 VAC, 3 phase in 4.9" motor frame
115 VAC 60 Hz instant reversible in 4.9" motor frame
Automatic thermal protector
Needle bearings on gear shafts
Face mount (with or without feet)
Brake - with 3 phase or instant reversible motors
Consult factory for other options

Note: Painted finish is not standard

Model K100 48FR OPEN AC Motor



Torque Chart (inch lbs.)			
115/60 VAC 4 Pole Split Phase Motor			
Ratio	Output RPM	1/4 HP Output Torque	1/2 HP Output Torque
14:1	120	103	205
20:1	85	145	290
28:1	60	205	410
57:1	30	375	750
94:1	18	600	
140:1	12	800	
211:1	8	800	

Overhung load capacity (.75" from output boss) not to exceed 300 lbs.



KLAUBER MACHINE & GEAR CO.
 1101 GEARTECH PARKWAY
 PACIFIC, MO 63069
 PHONE (636) 257- 3002 FAX (636) 257- 3005